



## Technical comercial data

# M.N-16 T.M.T-16

Serie MASTER NOVA – Versión 24-01-2024

Lid design especially configured for thermosealed buckets

## TECHNICAL DATA:

Material: PP copolymer of first quality, suitable for contact with food according to current regulations.

Colours: White standard. Consult for other colours.

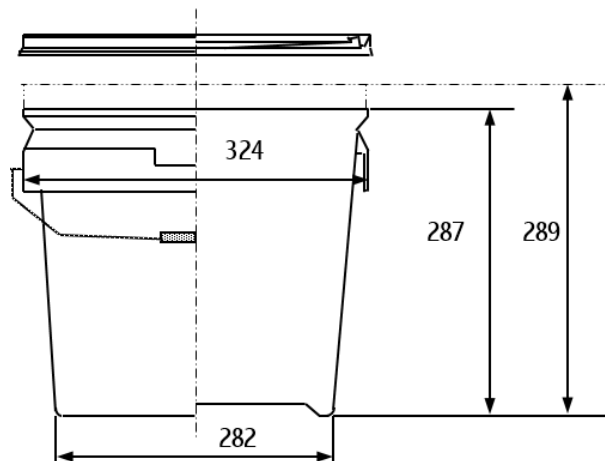
Useful Volume: 16 litres  
Volume to the edge: 19 litres

Weight of the bucket: 600 g. approx.  
Weight of the lid: 172 g. approx.  
Weight of the handle: - metal: 55 g. approx.  
- plástico: 3 g. approx.  
Total Weight: 830 g. approx.

Decorative surface flat inks: 190 x 911 mm (height x perimeter)  
Design surface photographic finish: 210 x 930 mm (height x perimeter)



## MEASUREMENTS:



Measurements in millimetres

## GROUPING OF TRANSPORT:

Buckets: 360 buckets per pallet  
Pallet dimensions: 1325 x 1000 x 2250 (see drawing)

Lids: 50 lids per box, this serves as a packaging of transportation  
Box dimensions: 335 x 335 x 1020

